


Special Features

- C & ATEX approved electrical contacts.
- Inert gas filled expansion system.
- Stainless steel case & stem
- With or without thermowell
- Silicon oil filled (optional)
- Standard followed EN 13190.

Application

- All stainless steel inert gas filled thermometers are suitable for corrosive media / environments in process industry chemical
- Food
- Pharmaceutical
- Pulp
- Paper
- Refinery
- Cement & many more.

Specifications
Standard Version : 100 mm, 125 mm, 150 mm, 200 mm & 250 mm

Accuracy	: Class 1 as per EN 13190
Ambient temperature	: -25°C to 65°C
Operating pressure	: 15 kg/cm ² (without thermowell)
Over range limit	: 120 % of Full Scale
Stem diameter	: 8 mm
Process connection	: ½" BSP (M) Adjustable

Case & bezel	: AISI 304 SS (Bayonet Type)
Stem & connection	: AISI 316 SS
Joints	: Tig Argon arc welding

Protection	: IP 65
Dial	: Aluminium, black graduation on white background
Pointer	: Aluminium, black Coloured Micrometer Zero adjustable
Window	: Plexi Glass
Gasket	: Neoprene

Standard version : Electrical contacts (100 mm & 150 mm only)

Accuracy	: Class 1 as per EN 13190
Ambient Temperature	: Maximum 65°C
Window	: Polycarbonate Dome
Dampening Liquids	: Dielectric Oil (Optional)
Other Features	: Refer Specification of Standard Version

Standard version : Silicon oil filled

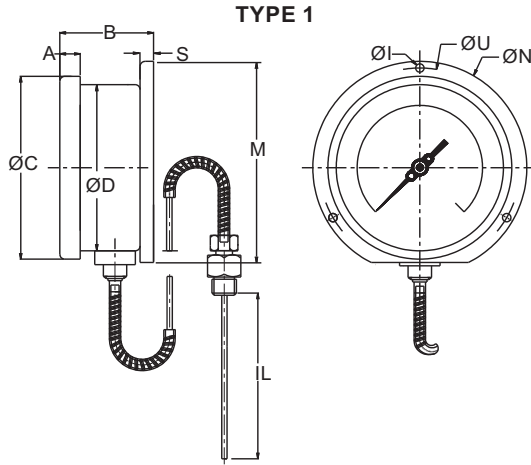
Accuracy	: Class 1 as per EN 13190
Ambient Temperature	: Maximum 65°C
Window	: Plexi Glass
Dampening Liquids	: Silicon Oil (Option QA)
Gasket	: Viton
Filling Plug	: EPDM
Other Features	: Refer Specification of Standard Version

Nominal range, measuring ranges & limits of error as per EN 13190

Nominal Range (°C)	Measuring Range (°C)	Limits of Error (± °C)
-20 to +40	-10 to +30	1
-20 to +60	-10 to +50	1
-20 to +120	-10 to +110	2
-30 to +30	-20 to +20	1
-30 to +50	-20 to +40	1
-30 to +70	-20 to +60	1
-40 to +40	-30 to +30	1
-40 to +60	-30 to +50	1
-100 to +60	-80 to +40	2
0 to 60	10 to 50	1
0 to 80	10 to 70	1
0 to 100	10 to 90	1
0 to 120	10 to 110	2
0 to 160	20 to 140	2
0 to 200	20 to 180	2
0 to 250	30 to 220	2.5
0 to 300	30 to 270	5
0 to 400	50 to 350	5
0 to 500	50 to 450	5
0 to 600	100 to 500	10

Note : The addition of mechanical electric contacts affects the accuracy of instruments such that 1% becomes 1.5%, 1.6% becomes 2.4% etc. (Add the 50% of accuracy; If the contact is of the magnetically assisted type, this value can't be added within the ±5% of setting point.)

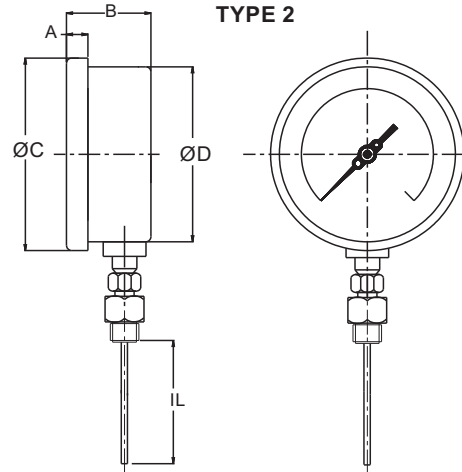
Dimensions - Standard Version



NS	A	B	ØC	ØD	S	M	IL	ØU	ØN	ØI	Approx. Wt.#
100	12.5	45	111	100	6	128	*	118	134	6	1000.0
125	15	46	129	119	4	143	*	137	150	6	1250.0
150	15	46.5	161	149	6	174.5	*	168	186	6	1550.0
200	18	49	216.5	201.5	1.5	229	*	230	245	7	2000.0
250	18	52	263	250	1.5	286.5	*	276	290	7	2250.0

(* As per customer requirement.)

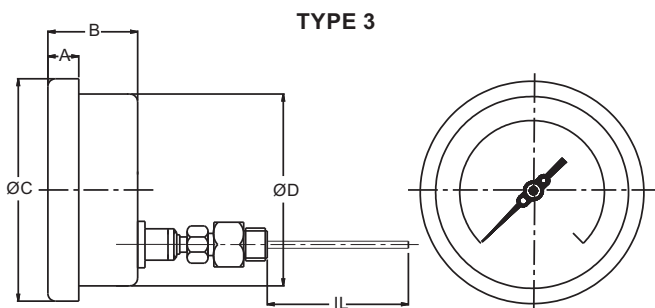
(# Weight in grams with box for 300 mm stem length & 3 meter capillary.)



NS	A	B	ØC	ØD	IL	Approx. Wt.#
100	12.5	47	111	100	*	750.0
125	15	48	129	119	*	1000.0
150	15	49	161	149	*	1250.0
200	18	49	216.5	201.5	*	1500.0
250	18	52	263	250	*	2000.0

(* As per customer requirement.)

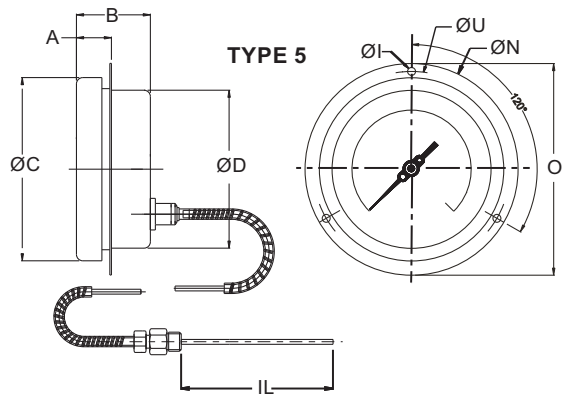
(# Weight in grams with box for 300 mm stem length.)



NS	A	B	ØC	ØD	IL	Approx. Wt.#
100	12.5	47	111	100	*	750.0
125	15	49	129	119	*	1000.0
150	15	49	161	149	*	1250.0
200	18	49	216.5	201.5	*	1500.0
250	18	52	263	250	*	2000.0

(* As per customer requirement.)

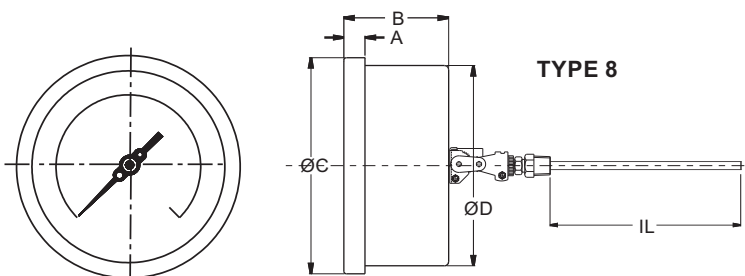
(# Weight in grams with box for 300 mm stem length.)



NS	A	B	ØC	ØD	S	IL	ØU	ØN	ØI	Approx. Wt.#
100	12.5	47	111	100	1	*	118	134	6	1000.0
125	15	49	129	119	4	*	137	150	6	1250.0
150	15	49	161	149	1	*	168	186	6	1550.0
200	18	49	216.5	201.5	1.5	*	230	245	7	2000.0
250	18	52	263	250	1.5	*	276	290	7	2250.0

(* As per customer requirement.)

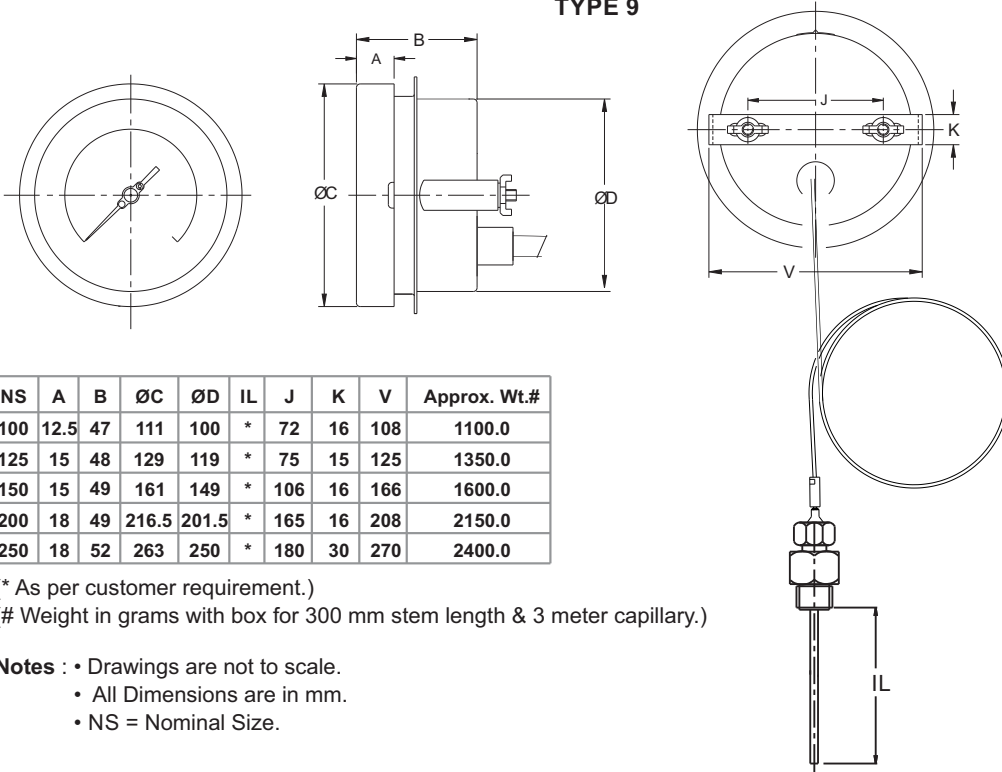
(# Weight in grams with box for 300 mm stem length & 3 meter capillary.)



NS	A	B	ØC	ØD	IL	Approx. Wt.#
100	12.5	48	111	100	*	750.0
125	15	49	129	119	*	1000.0
150	15	49	161	149	*	1250.0
200	18	49	216.5	201.5	*	1500.0
250	18	49.5	263	250	*	2000.0

(* As per customer requirement.)

(# Weight in grams with box for 300 mm stem length.)

Dimensions - Standard Version
TYPE 9


NS	A	B	ØC	ØD	IL	J	K	V	Approx. Wt.#
100	12.5	47	111	100	*	72	16	108	1100.0
125	15	48	129	119	*	75	15	125	1350.0
150	15	49	161	149	*	106	16	166	1600.0
200	18	49	216.5	201.5	*	165	16	208	2150.0
250	18	52	263	250	*	180	30	270	2400.0

(* As per customer requirement.)

(# Weight in grams with box for 300 mm stem length & 3 meter capillary.)

- Notes :**
- Drawings are not to scale.
 - All Dimensions are in mm.
 - NS = Nominal Size.

Range Table

Note : We offer National / International Scales like °C, °F & Dual scale in °C, °F & scales as per the requirement can be provided on request. following are the example tables for °C

Standard Ranges
Positive range single scale in °C

Range	Range	Range	Range
0/60	0/120	0/250	0/500
0/80	0/160	0/300	0/600
0/100	0/200	0/400	50/650

Compound range single scale in °C*

Range	Range	Range	Range
- 80 / 60	- 20 / 60	- 40 / 60	- 20 / 180
- 60 / 40	- 20 / 80	- 30 / 50	- 20 / 100

Note: *Compound ranges are not recommended for electrical contact option. Refer table for limits of error as per EN13190 (On front page of CA)

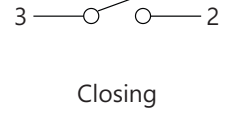
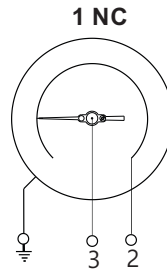
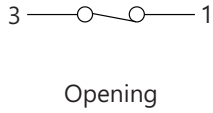
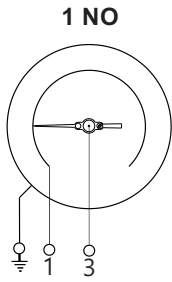
ACCESSORIES (* Refer datasheet for Thermowells)

- * Thermowell

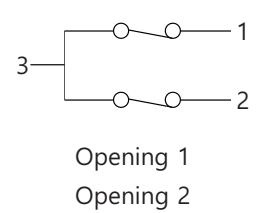
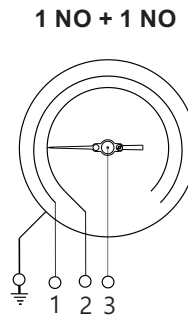
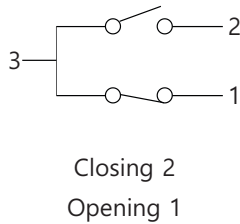
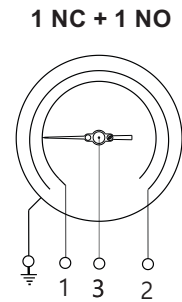
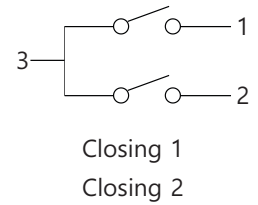
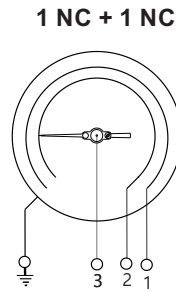
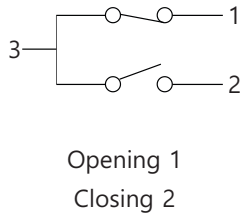
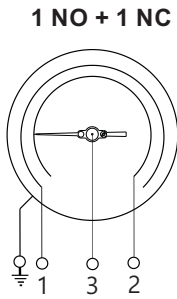
Wiring Diagram

Wiring diagrams for electric contacts

Single Contact



Double contact



Independent double contact

